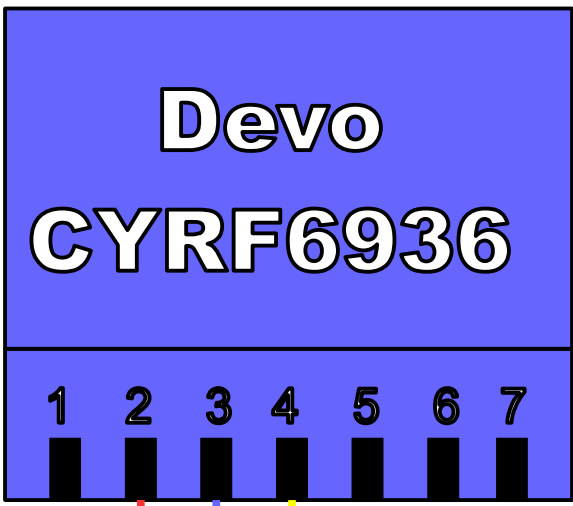
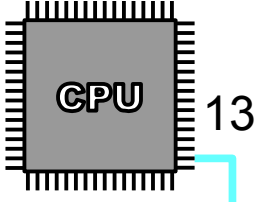
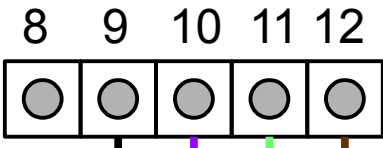


# Devo 7E Transmitter

See image for no.13 pin connection detail.



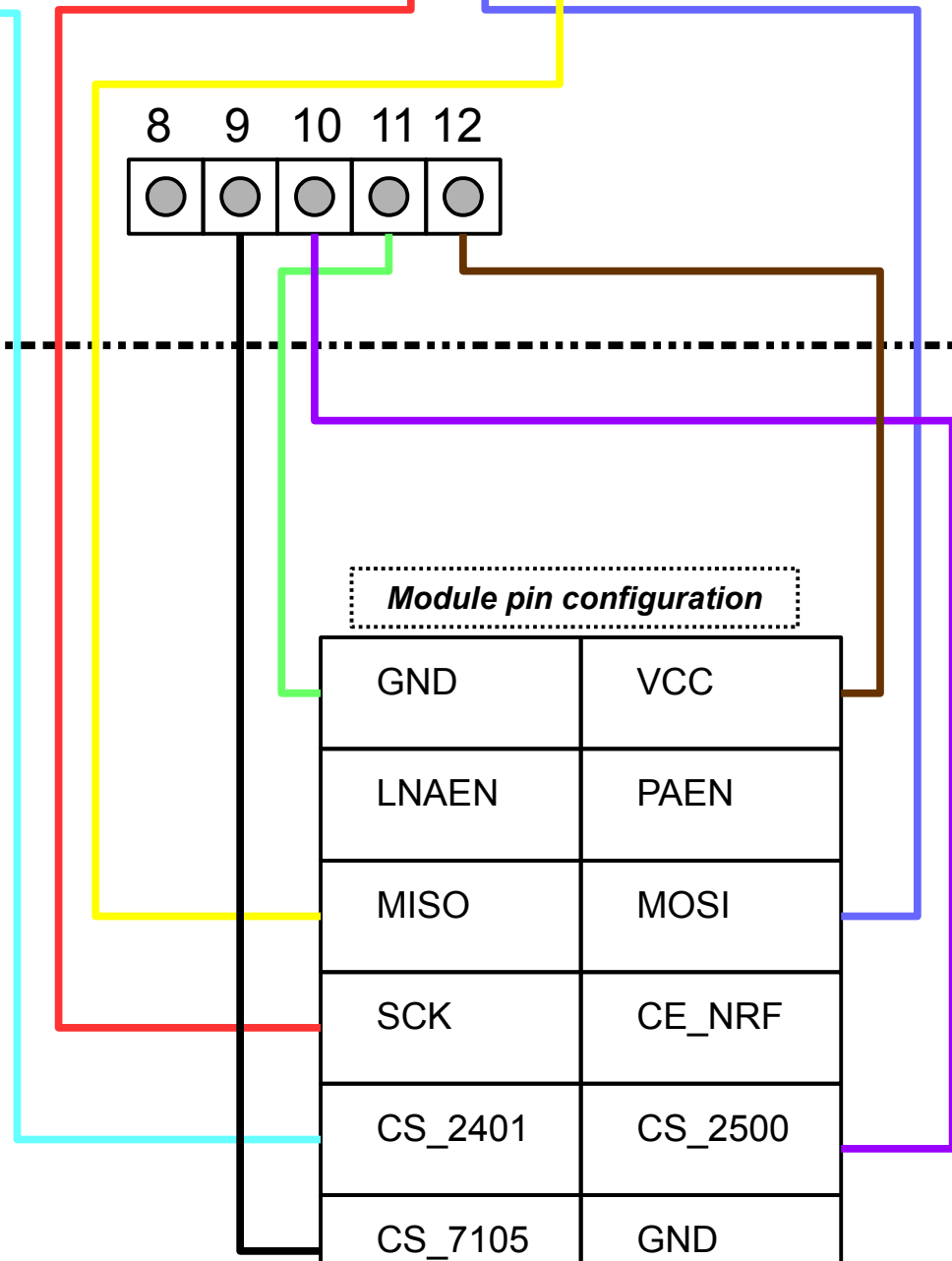
:RF Module	DEVO7E
SCK	2
MOSI	3
MISO	4
CS_2500	10
CS_2401	13
CS_7105	9
VCC	12
GND	7 or11



## 3 in 1 Module

*Module pin configuration*

GND	VCC
LNAEN	PAEN
MISO	MOSI
SCK	CE_NRF
CS_2401	CS_2500
CS_7105	GND



Devo 7e wiring diagram for 3 in 1 multi-module. See page 2 images for transmitter mainboard details.

**Devo 7E  
Transmitter**

These numbers correspond to the numbering in the wiring diagram.

